

DRAWING MADE IN THIRD ANGLE PROJECTION

3

2

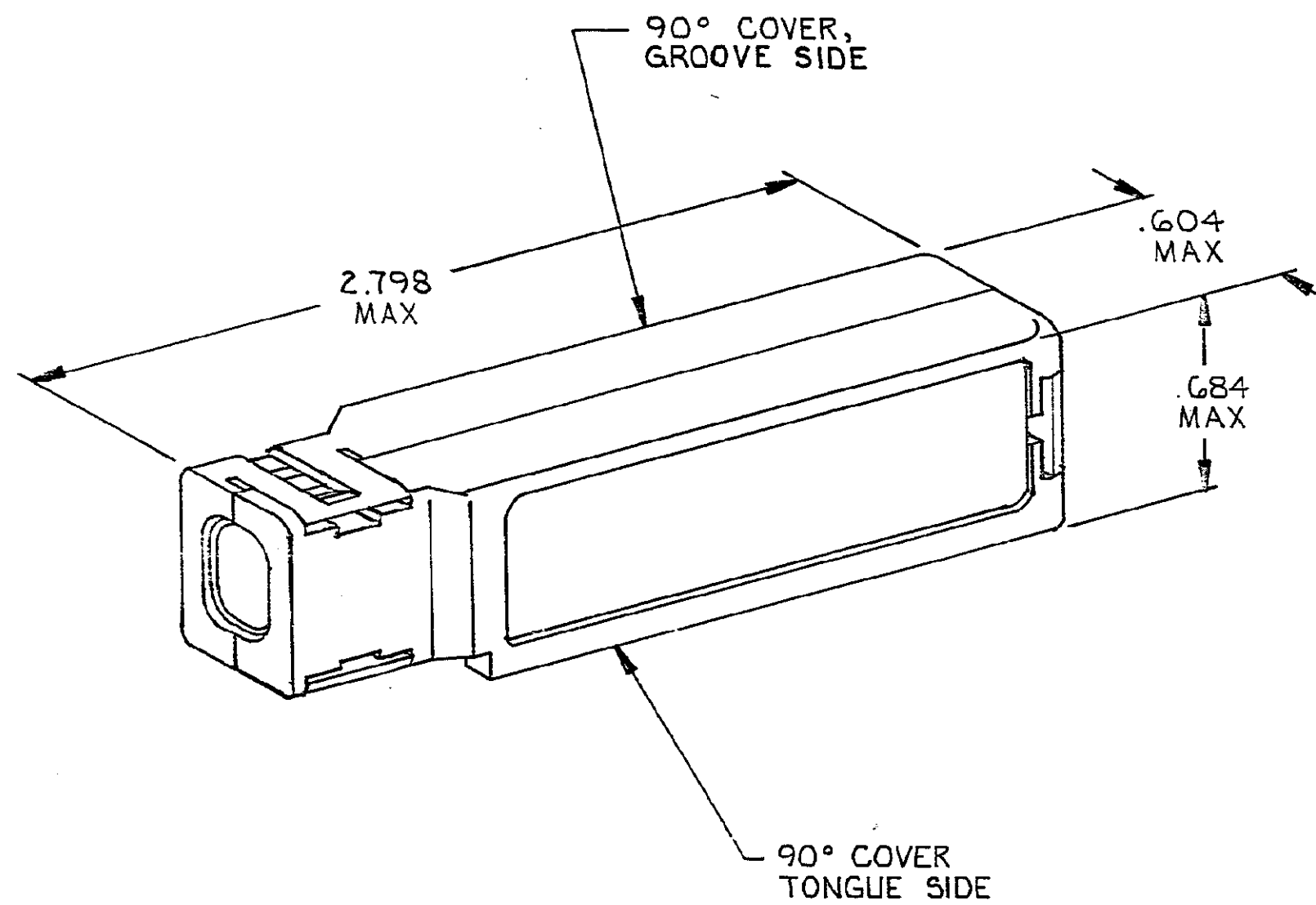
1

LOC DIST
AA 20

THIS DRAWING IS UNPUBLISHED. RELEASED FOR PUBLICATION, 19
 © COPYRIGHT 19 BY AMP INCORPORATED, HARRISBURG, PA. ALL INTERNATIONAL RIGHTS RESERVED. AMP PRODUCTS MAY BE COVERED BY U.S. AND FOREIGN PATENTS AND/OR PATENTS PENDING.

REVISIONS						
P	F	ZONE	LTR	DESCRIPTION	DATE	APPROVED
H	V		H	OBSOLETE 5/1 & 5/2, ECN AA-4830	5/30/89	TE

1. COVERS SHIPPED NOT ASSEMBLED.
2. 100 KITS BULK PACKED.



552414

BULK	.330 - .380	BLACK	3-552422-1	3-552421-1	3-552414-1
	.305 - .360		552422-1	552421-1	552414-1
PACKAGING	CABLE RANGE DIAMETER	COLOR	GROOVE SIDE PART NO.	TONGUE SIDE PART NO.	KIT PART NO.

UNLESS OTHERWISE SPECIFIED DIMENSIONS ARE IN INCHES. TOLERANCES ON: DECIMALS ± ANGLES ±	CONTRACT NO		AMP AMP INCORPORATED Harrisburg, Pa. 17105		
	DR P.K. COLLINS 5-3-83				
	MATERIAL POLYPHENYLENE		NAME COVER KIT, 90°, 36 POSITION, CHAMP®		
	FINISH		SIZE C	FSCM NO 00779	DRAWING NO 552414
OTHER APPD		SCALE 2:1		SHEET 1 OF 1	